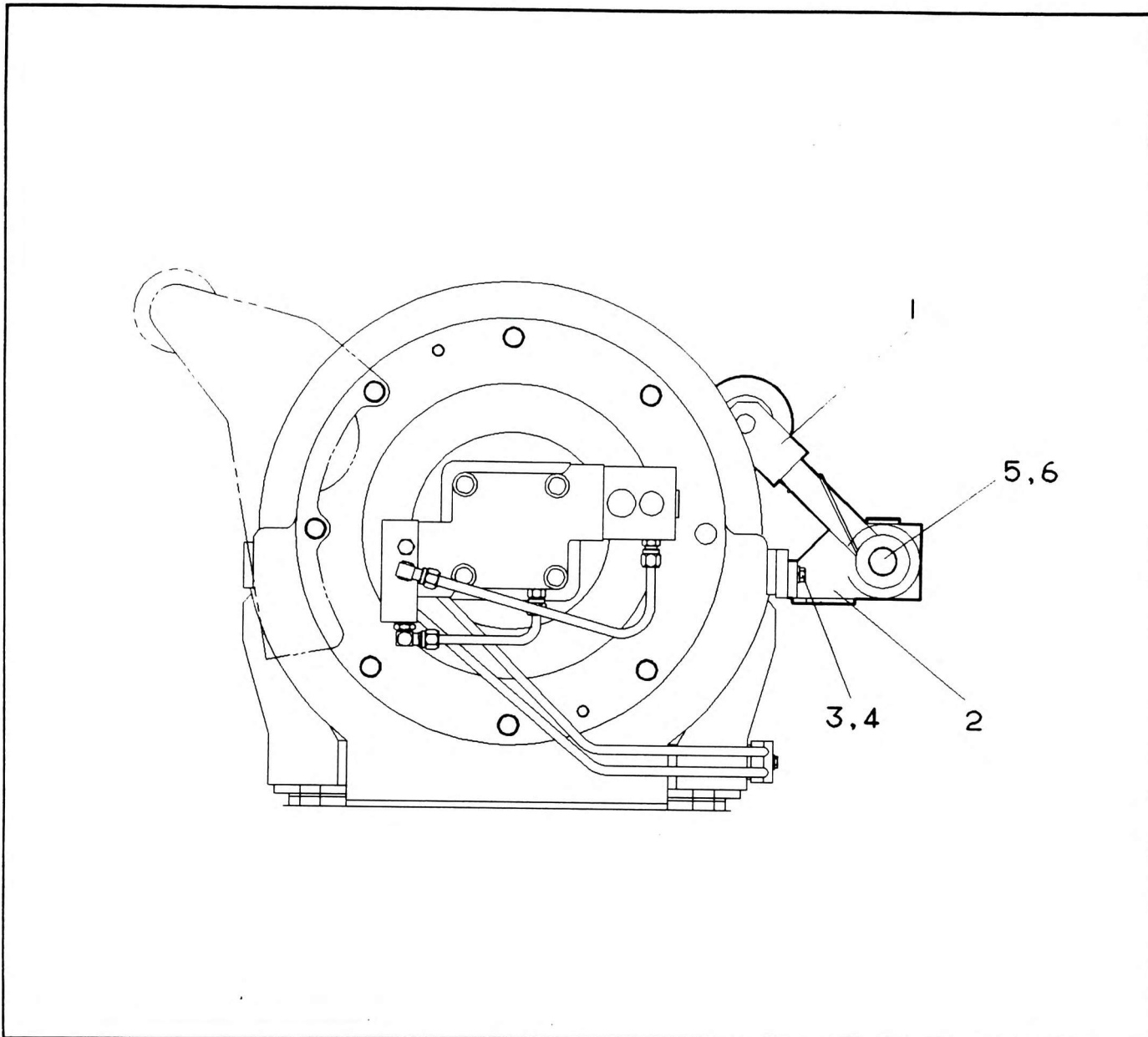


HOIST INDICTOR SWITCH ASSY



NO.	PART NO.	QTY.	DESCRIPTION	NO.	PART NO.	QTY.	DESCRIPTION
1 +	7-486-990262	1	Hoist Monitoring Indicator				
2	6-184-991408	1	Bracket Indicator Mount				
3	7-112-150750	2	Screw				
4	7-950-150000	2	Washer Spring 5/16" Dia.				
5	7067216	1	Washer Spring M12				
6	7097703	1	Screw M12 x 25 Lg				
+ See further breakdown in this group							

6-872-990038
Issue No. 02